



MODEL
1100

H A N D W I N C H

The Hand Winch-Hoist

1,000 lb Single-Line or 2,000 lb Double-Line Lift



APPLICATIONS

ALL-PURPOSE LIFTING AND DRAGGING

LIFTING AND PULLING HARD-TO-HANDLE LOADS WITHOUT RATCHETS

GEAR REDUCER

CAN BE MOTORIZED WITH USER'S MOTOR AND CONTROLS

FEATURES

- Worm gear reduction for positive load holding
- Rugged construction
- Three-position adjustable handle for better cranking leverage
- Portable
- Free-wheeling clutch
- Easy operation



MODEL
1100

H A N D W I N C H

SPECIFICATIONS

Construction Features:

- Heavy-duty angle base drilled for four (4) 1/2" bolts (9/16" mounting holes) with no welding required
- Fully sealed aluminum housings, with precision-cut gears, run in an oil bath
- Stress-proof drum shaft
- Frictionless bearings

Gear System:

- 30:1
- Hardened steel worm and forged bronze worm gear holds load in position when stopped

Power:

- Can be motorized
- 3/4" diameter input shaft
- Keyway for sprocket/chain drive or V-pulley/belt drive

Speed and torque of motor should be considered in choosing chain- or belt-drive ratios. Standard electric drill with 1/2" socket will also drive unit.

Duty Cycle:

- 25% - 15 min/hour when operating at full load

Drum Storage:

- 1/8" - 285 ft
- 1/4" - 70 ft
- 3/16" - 125 ft
- 5/16" - 45 ft

For best results, use the minimum amount of cable required for application plus four safety turns around the drum. Cable sold separately. Length and size must be specified at time of order.

Cable Strength:

- 5-to-1 recommended safety factor
- Top-quality galvanized cable available in the following breaking strengths:

1/8" - 2,000 lbs	1/4" - 7,000 lbs
3/16" - 4,200 lbs	5/16" - 9,800 lbs

Dimensions: (W_m x H_m x L_m)

11" x 8" x 17"

Shipping Weight: 32 lbs

Factory-Installed Options:

- No Clutch
- No Hand Crank
- Alternate Drums

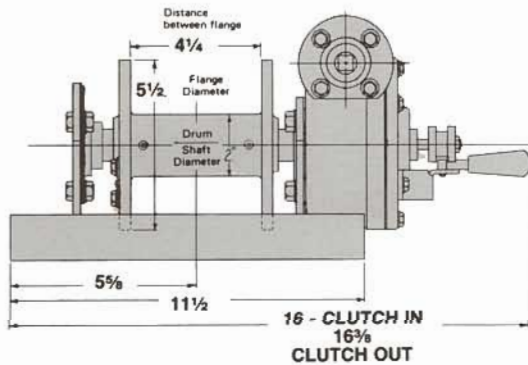
Note: For additional information on other available factory-installed options and accessories, see catalog sheets 31 and 33.



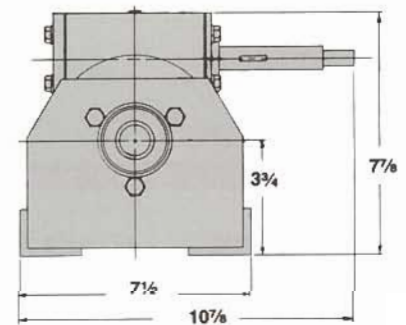
Cutaway of worm gear housing



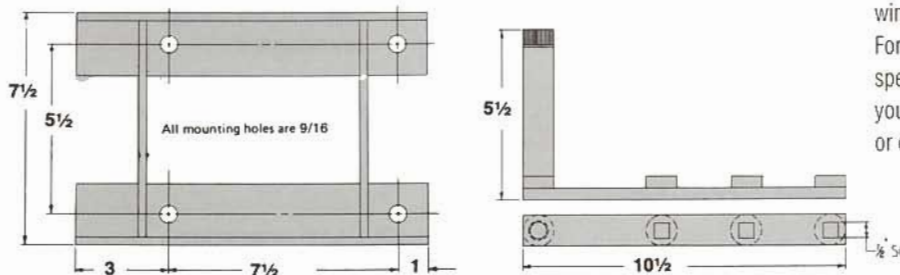
FRONT VIEW



SIDE VIEW



TOP VIEW (FRAME ONLY)



HAND CRANK

..... My-te can even custom design winch-hoists for your special needs. For applications assistance, including the specification of a My-te winch-hoist to meet your requirements, see your My-te distributor or call My-te Products, Inc.

All My-te winches and hoists are designed for material handling usage only.

