

The I-Beam Electric Winch-Hoist

1250 Lb. Single Line, 2500 Lb. Double Line Lift

APPLICATIONS

All-Purpose Lifting

**Long-Lift Applications Where Chain Hoist
Will Not Reach**

**Vehicle Mount - Where a Hoist Hanging
From I-Beam Supports the Load**

FEATURES

- 12 Volt motor
- Worm gear reduction for positive load holding
- Low headroom—15" single line, 19" double line
- Trolley built to beam size
- Hoist complete with cable hook and block for 20' lift

My-te Products, Inc.
9880 E. 30th St.
Indianapolis, IN 46229
800-840-9880-ph
317-897-9811-fax
sales@myte.com • www.myte.com

SPECIFICATIONS

Construction Features

- Hoist mounted to 3/8" steel trolley with 4" I-beam wheels
- Fully sealed aluminum housings, with precision-cut gears, run in an oil bath
- Stressproof drum shaft
- Frictionless bearings

Trolley Size

Trolley is built to fit the size of beam specified, from 4" to 15" structural I-beams.

We must have your I-beam size.

Example: 8" high x 4" wide

Gear System

- 175:1
- Hardened steel worm and forged bronze worm gear holds load in position when stopped.

Power

- Reversible permanent magnet 12V DC motor - 3000 RPM:

No Load

- 10 Amp - No Load
- 100 Amp Full Load
- Pendant length - 10'

Speeds

- 20 RPM: No-load drum speed
- 10 FPM: No-load drum speed
- 9 FPM: 1,250 lbs - single-line lift
- 5 FPM: 2,500 lbs - double-line lift

Note: All speeds are based on one layer of cable on drum.

Duty Cycle

- 25% - 15 min/hr when operating at full load.

Drum Storage

- Hoist is provided with 42' of 1/4" cable for 40' lift, single line, and 20' lift, double line. Sheave block and safety hook are included.

- 1/8" - 1,000'
- 1/4" - 250'
- 3/16" - 450'
- 5/16" - 150'

For best results, use the minimum amount of cable required for application. Maintain four wraps of cable on the drum at all times. Cable sold separately. Length and size must be specified at time of order.

Lifting Capacity

- 1,250 lbs - 1-2 layers of cable (39' of 1/4" cable)
- 1,050 lbs - 3 layers of cable (65' of 1/4" cable)
- 750 lbs - full drum of cable (250' of 1/4" cable)

Cable Strength

- Safe working load is 20% of breaking strength
- Top-quality galvanized cable available in the following breaking strengths:

1/8" - 2,000 lbs	1/4" - 7,000 lbs
3/16" - 4,200 lbs	5/16" - 9,800 lbs

Shipping Weight

133 lbs

Factory-Installed Options

- 24 Volt DC
- 3-Ton Hoist
- Lug Mount Trolley
- Motorized Trolley Hoist
- Upper Limit Switch Only

For additional information:

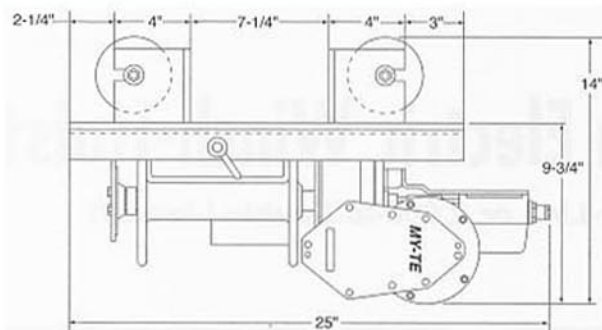
Call (800) 840-9880

Visit www.myte.com

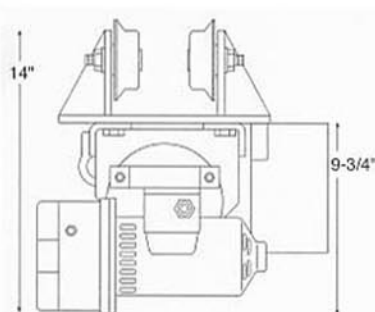
E-mail: sales@myte.com

Or contact your nearest My-te distributor

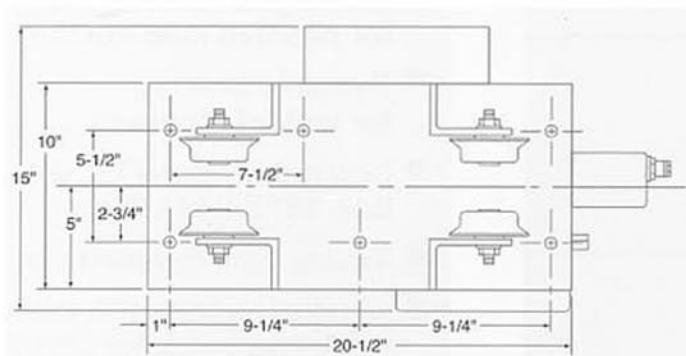
FRONT VIEW



SIDE VIEW



TOP VIEW



- My-te can even custom design winch-hoists for your special needs. For applications assistance, including the specification of a My-te winch-hoist to meet your requirements, see your My-te distributor or call My-te Products, Inc.

All My-te winches and hoists are designed for material handling usage only.