

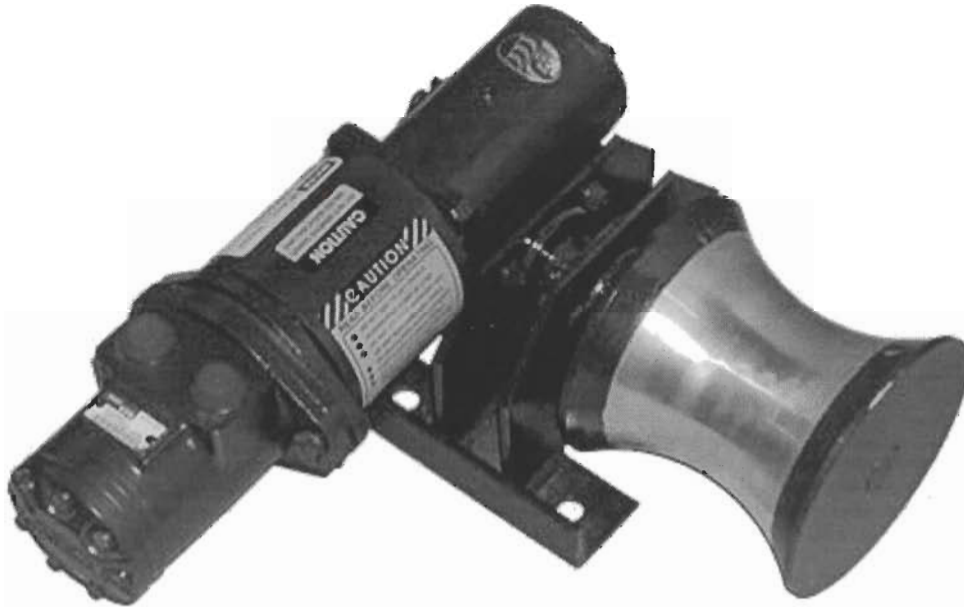


MODEL

# HY3D

## *The Utility Hydraulic Capstan Winch-Hoist*

*800 Lb Single-Line or 1,600 Lb Double-Line Lift*



### APPLICATIONS

ALL PURPOSE LIFTING AND  
PULLING

HOISTING DISTRIBUTION LINE  
TRANSFORMERS

COMMUNICATION TOWER  
MAINTENANCE

MOVE ROLLING LOADS UP TO 7,500  
LB.

### FEATURES

- Worm gear reduction for positive load holding
- Rugged construction
- Needs only 2 GPM @ 900 PSI
- Control valve available
- Full power reversible



# MODEL HY3D

## SPECIFICATIONS

### Construction Features:

- Heavy-duty angle base drilled for four (4) 1/2" bolts (9/16" mounting holes)
- Stress-proof steel drum shaft
- Frictionless bearings
- Hydraulic motor coupled to gear box input shaft

### Gear System:

- 30:1 Gear Reduction
- Hardened Steel worm gear runs in an oil bath and holds load in position when stopped.

### Power:

- 3 cu in high-torque rotary hydraulic motor
- 1/2"-14 NPTF hydraulic connections

### Pump Requirements:

- 2 GPM @ 900 psi minimum pump capacity
- 12 GPM @ 1,500 psi recommended pump capacity
- 2,250 maximum psi

### Speeds:

- Recommended System Operation  
(12 GPM @ 1,500 psi)
- 29 RPM: No load
  - 29 FPM: 500 Lb.
- Minimum System Operation  
(2 GPM @ 900 psi)
- 5 RPM: No load
  - 5 FPM: 500 Lb.

Line speed is dependent on pump system and equipment operator. For best results, use the recommended pump and allow minimal rope slippage.

### Duty Cycle:

- 25% -15 min/hr when operating at full load

### Hoisting Rope:

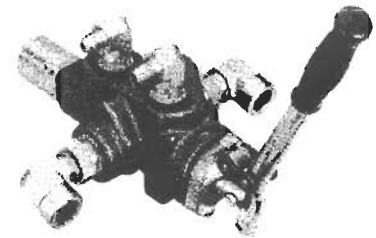
Consult your local dealer for type and size of rope. Maintain at least three wraps of rope on capstan drum when in use. Heavier loads may require four wraps of rope.

### Shipping Weight

- 60 Lb.

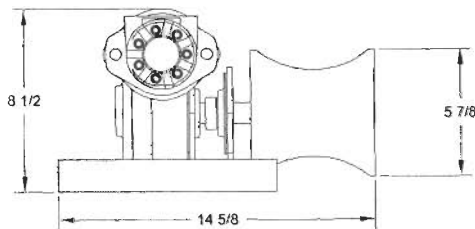
### Factory-Installed Options:

- Bayonet Output Shaft-HY3/BAY
- Three-Position, Four-Way Directional Control Valve

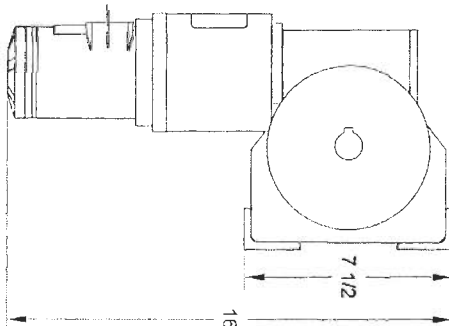


Note: For additional information on other available factory-installed options and accessories, see catalog sheets 31 and 33.

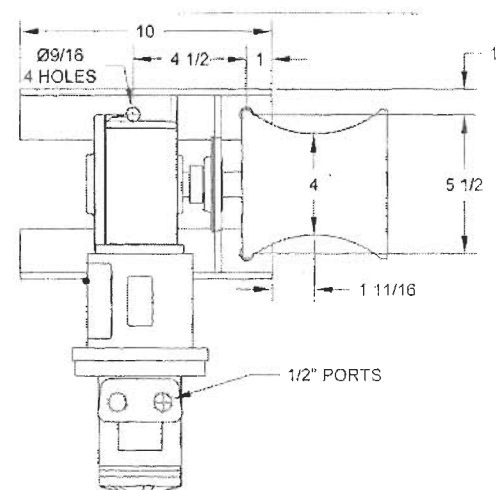
*Front View*



*End View*



*Top View*



*My-te Winch-Hoists are not designed for lifting or moving personnel or objects over personnel.*