



# 30-12/BAY

UTILITY SERIES

*The 12V DC Bayonet Drive*



---

**Retrieval and Storage of Fibrous Rope**

**Pull and Store Coaxial Cable**

**Drive AT&T Bayonet Compatible  
Accessories**

---

**Worm Gear Reduction**

**One Piece Bayonet Drive Shaft**

**Needs only 100 Amps @12 VDC**

**Reversible**

**High Speed Gears Available**

# 30-12/Bay

## Construction Features:

- Heavy-duty steel angle base drilled for
- four (4) 1/2" mounting bolts
- One piece steel drum shaft
- Frictionless bearings in gear housings
- Bronze bushed drum shaft support
- Machined aluminum gear housings

## Gear System:

- 175:1 Reduction
- Hardened steel worm and forged bronze worm gear run in an oil bath and hold load in position when stopped.

## Dimensions:

- 18.25"L x 11.25"W x 13.00"H

## Shipping Weight:

- 78 Lbs.

## Speeds:

- 20 RPM - No Load
- 15 RPM - Full Load
- Line speed is based on the diameter of the rope drum or reel used.

## Power:

- Reversible permanent Magnet Motor
- 10 Amp DC No Load
- 100 Amp DC Full Load

## Torque

- 85 Lb./Ft.
- Line Pull is based on the output torque and the diameter of the rope drum or reel. Do not overload the winch!

## Controls:

- Std. units are provided with Hand Held Pendant on 10' Cord
- Optional Foot Control Available.

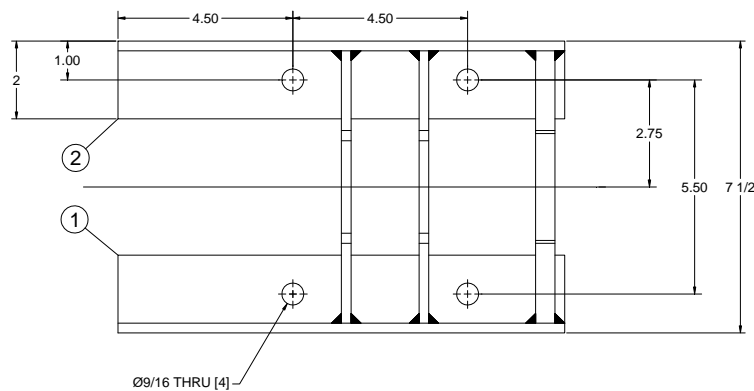
## Duty Cycle:

- 25% - 15 Min/hr when operating at full load

## Options:

- High Speed Gears
- 24V DC Motor
- Free Wheeling Clutch
- Hand Crank
- Upside Down Mount

**All My-te  
winch-hoists are  
designed for  
material handling  
use only.**



Frame & Mounting Hole Dimensions