

# Utility Capstan Electric Pole-Mount Winch-Hoist **402AB**

**UTILITY SERIES**

## Features

- 800-lb single-line or 1,600-lb double-line lift
- Trifecta system 115 Volt brake motor with triple brake system for instant stopping (12 Volt DC models available)
- Worm gear reduction for positive load holding
- Rugged construction in a portable package
- 10' pendant foot control
- Capstan rope drum
- Frictionless bearings



## Applications

*All My-te winches and hoists are designed for material handling usage only.*

Lifting loads to overhead line crews  
Pole-mounted applications  
Carry into hard-to-reach locations  
Tower and antenna maintenance

# Utility Capstan Electric Pole-Mount Winch-Hoist **402AB**

## Construction Features:

- Chain binder allows mounting to utility pole
- Shorter welded steel frame allows greater clearance for hoisting rope
- Hardened steel worm and forged bronze worm gear holds load in position when tension maintained on fall line.
- Frictionless bearings
- 4" working diameter aluminum capstan drum
- 286:1

## Hoisting Rope:

Consult your local dealer for type and size of rope. Maintain at least three wraps of rope on capstan drum when in use. Heavier loads may require four wraps of rope.

## Chain Tightener:

- 1/4" high-test alloy steel chain

## Power:

- Universal 18,500 RPM reversible 1.25 HP brake motor (no-load speed)
- 15' power cord plugs into any 115 Volt AC grounded outlet
- 6 amp – No load
- 20 amp – Full load

## Speeds:

- 59 RPM: No-load drum speed
- 30 FPM: 500 lbs

## Optional 12 Volt Models:

- 20 RPM: No-load drum speed
- 15 FPM: 500 lbs

## Duty Cycle:

- 25% – 15 min/hr when operating at full load.

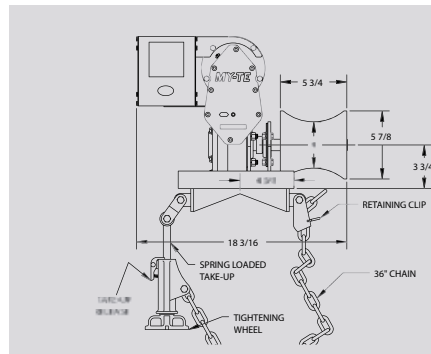
**Shipping Weight:** 84 lbs

## Factory-Installed Options:

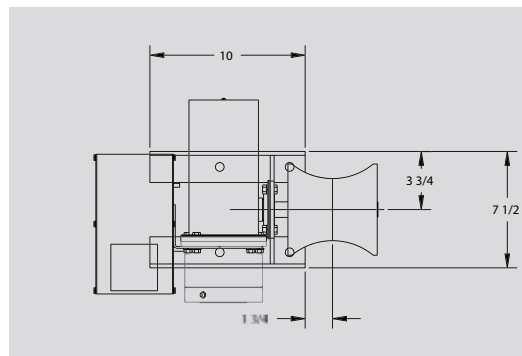
- Hand switch
- 230 Volt
- Variable speed
- High-speed gears
- Bayonet shaft adapter
- 12 Volt DC models available

*For custom design and application assistance of a My-te winch-hoist, see your My-te distributor or call My-te Products, Inc. (800) 840-9880. Visit us at [www.myte.com](http://www.myte.com)*

FRONT VIEW



MOUNTED VIEW



SIDE VIEW

