

HY3D/BAY

The Utility Hydraulic Bayonet Drive



APPLICATIONS

- Retrieval and Storage of Fibrous Rope
- Pull and Store Coaxial Cable
- Drive AT&T Bayonet Shaft Compatible Accessories

FEATURES

- Worm gear reduction for positive load holding
- Rugged construction
- Needs only 2 GPM @ 900 PSI
- Control valve available
- Full power reversible

HY3D/BAY

SPECIFICATIONS

Construction Features:

- Heavy-duty angle base drilled for four (4) 1/2" bolts (9/16" mounting holes)
- Galvanized, Stress-proof steel drum shaft
- Frictionless bearings
- Hydraulic motor coupled to gear

Gear System:

- 30:1 Gear Reduction
- Hardened Steel worm gear runs in an oil bath and holds load in position when stopped.

Power:

- 2.8 cu in high-torque rotary hydraulic motor
- 1/2" NPT hydraulic connections

Pump Requirements:

- 2 GPM @ 900 psi minimum pump capacity
- 12 GPM @ 1,500 psi recommended pump capacity
- 2,250 maximum psi

Speeds:

- Recommended System Operation (12 GPM @ 1,500 psi)
- 29 RPM: No load
- 29 RPM: Full Load

Minimum System Operation

- (2 GPM @ 900 psi)
- 5 RPM: No load
- 5 RPM: Full Load

Line speed is dependent on pump system and drum/reel diameter. For best results, use the recommended pump.

Duty Cycle:

- 25% -15 min/hr when operating at full load

Hoisting Rope:

- Consult your local dealer for type and size of rope. Maintain at least three wraps of rope on capstan drums when in use. Heavier loads may require four wraps of rope.

Torque

- 80 Lb./Ft @ 1200 PSI
- 100LB./Ft @1500 PSI

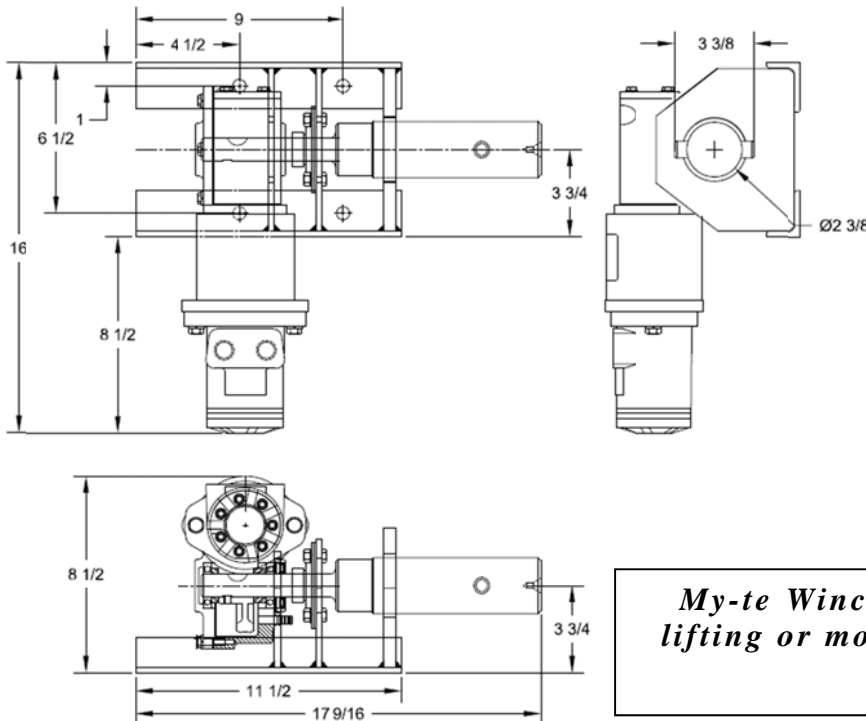
Shipping Weight

- 60 Lb.

Factory-Installed Options:

- Three-Position, Four-Way Directional Control Valve
- Three-Position, Four-Way Directional Foot Control Valve

Note: Contact the factory For additional information on other available options and accessories.



My-te Winch-Hoists are not designed for lifting or moving personnel or objects over personnel.