



MODEL
HY3D

The Utility Hydraulic Capstan Winch-Hoist
800 Lb Single-Line or 1,600 Lb Double-Line Lift



APPLICATIONS

ALL PURPOSE LIFTING AND
PULLING

HOISTING DISTRIBUTION LINE
TRANSFORMERS

COMMUNICATION TOWER
MAINTENANCE

MOVE ROLLING LOADS UP TO 7,500
LB.

FEATURES

- Worm gear reduction for positive load holding
- Rugged construction
- Needs only 2 GPM @ 900 PSI
- Control valve available
- Full power reversible

HY3D

SPECIFICATIONS

Construction Features:

- Heavy-duty angle base drilled for four (4) 1/2" bolts (9/16" mounting holes)
- Stress-proof steel drum shaft
- Frictionless bearings
- Hydraulic motor coupled to gear box input shaft

Gear System:

- 30:1 Gear Reduction
- Hardened Steel worm gear runs in an oil bath and holds load in position when stopped.

Power:

- 3 cu in high-torque rotary hydraulic motor
- 1/2"-14 NPTF hydraulic connections

Pump Requirements:

- 2 GPM @ 900 psi minimum pump capacity
- 12 GPM @ 1,500 psi recommended pump capacity
- 2,250 maximum psi

Speeds:

Recommended System Operation
(12 GPM @ 1,500 psi)

- 29 RPM: No load
- 29 FPM: 500 Lb.

Minimum System Operation
(2 GPM @ 900 psi)

- 5 RPM: No load
- 5 FPM: 500 Lb.

Line speed is dependent on pump system and equipment operator. For best results, use the recommended pump and allow minimal rope slippage.

Duty Cycle:

- 25% -15 min/hr when operating at full load

Hoisting Rope:

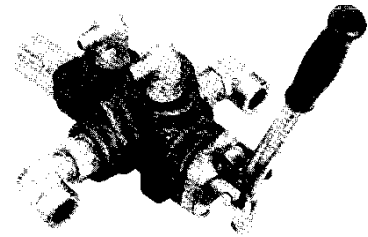
Consult your local dealer for type and size of rope. Maintain at least three wraps of rope on capstan drum when in use. Heavier loads may require four wraps of rope.

Shipping Weight

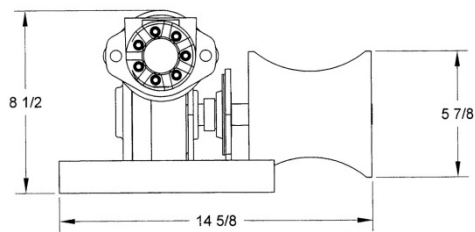
- 60 Lb.

Factory-Installed Options:

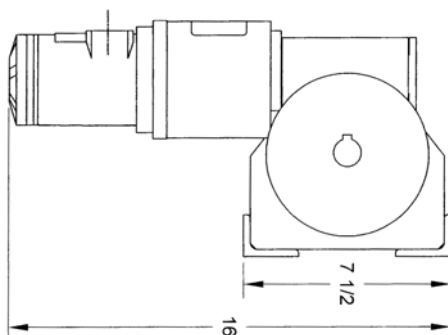
- Bayonet Output Shaft-HY3D/BAY
- Three-Position, Four-Way Directional Control Valve



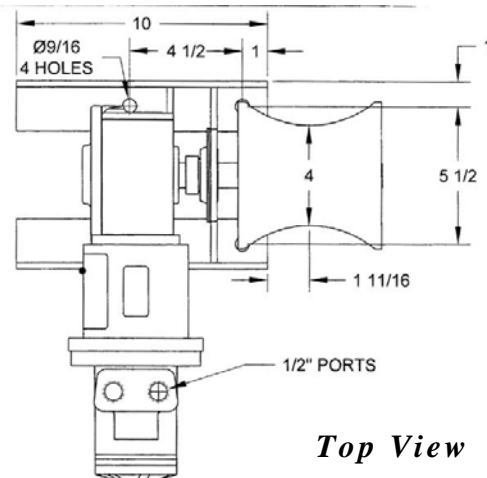
Note: For additional information on other available factory-installed options and accessories, see catalog sheets 31 and 33.



Front View



End View



Top View

My-te Winch-Hoists are not designed for lifting or moving personnel or objects over personnel.