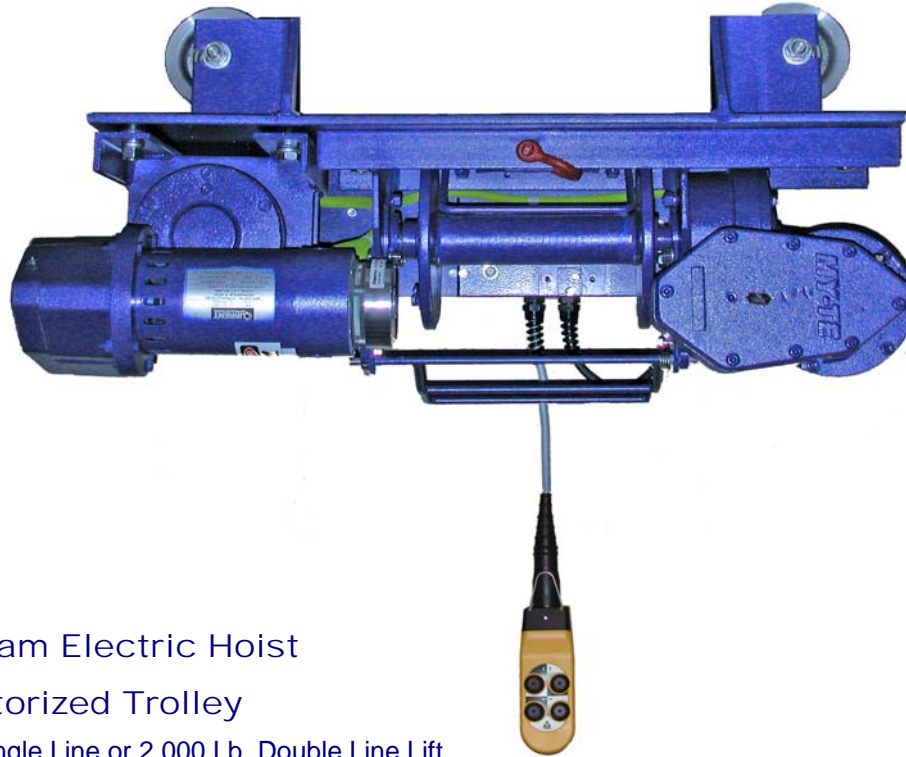


MODEL

850AB

I-BEAM SERIES



The I-Beam Electric Hoist
With Motorized Trolley
1,000 Lb. Single Line or 2,000 Lb. Double Line Lift

Applications

- All Purpose Lifting
- Lifting/Positioning Loads
- Long Lifts
- In-Plant Operation Where Loads Must be Supported by an I-Beam
- Maintenance
- Wastewater Treatment

Features

- Worm Gear Reduction for Positive Load Holding
- My-te's Trifecta Braking System
- Low Headroom: 15" Single Line, 19" Double Line
- Rigged for 20' x 1 Ton Double Line Lift Std.
- Upper/Lower Adjustable Limit Switches

I-BEAM SERIES

Specifications

Construction Features

- Hoist mounted to removable motorized trolley fabricated from 3/8" steel plate and 4" trolley wheels.
- Fully sealed aluminum gear housings with precision-cut gears running in an oil bath.
- Stressproof drum and trolley drive shafts
- Frictionless bearings

Shipping Weight

- 250 Lb.

Duty Cycle

- 25% -15 Minutes/hour when operating at full load

Trolley

- Motorized trolley is built to fit the customer specified I-beam. Standard Models accept I-beams up to 6" wide.
- Trolleys for wider beams available on request.
- Please specify the I-beam height and width.

Gear System

- Hoist Gear Reduction: 286:1
- Trolley Drive Gear Reduction: 286:1
- Trolley wheel driven with 1:1 chain & sprocket.

Power

- Universal 18,500 RPM reversible 1.25 HP brake motor (No Load Speed)
- 15' Power cord plugs into 115V AC grounded outlet
- Hoist: 6 Amp-No Load, 14 Amp-Full Load
- Trolley Drive: 6 Amp- No Load, 10 Amp-Full Load
- Pendant Length—10' Std. Addl. Pendant length available on request.

Speeds: Hoist -First Layer

- 30 fpm - No Load
- 25 fpm - 500 Lb. Single Line
- 20 fpm -1000 Lb. Single Line
- 10 fpm - 2000 Lb. Double Line

Speeds: Trolley Drive

- 46 fpm -No Load
- 31 fpm -2000 Lb.

Lifting Capacity

- 1000 Lb. Single Line, 2000 Lb. Double Line—1-2 layers of 1/4" wire rope (40')
- 600 Lb. Single Line, 1200 Lb. Double Line—Full Drum of 1/4" wire rope (250')
- Hoist ratings based on safe working load under optimum conditions. Adverse field conditions such as low voltage may affect the performance of the hoist/trolley drive.

Rope Capacity

Wire Rope Dia.	Drum Capacity	Rope Safe Working Load (20% * Tensile)
1/8"	1000 ft.	400 Lb.
3/16"	450 ft.	840 Lb.
1/4"	250 ft.	1400 Lb.
5/16"	160 ft.	1960 Lb.

Wire rope capacities are based on a smooth, even wrap. Best results are obtained when a minimum amount of wire rope is used to satisfy the particular job requirements. Maintain no less than 4 wraps of wire rope on the drum at all times.

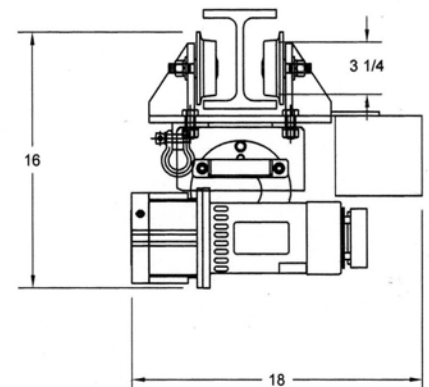
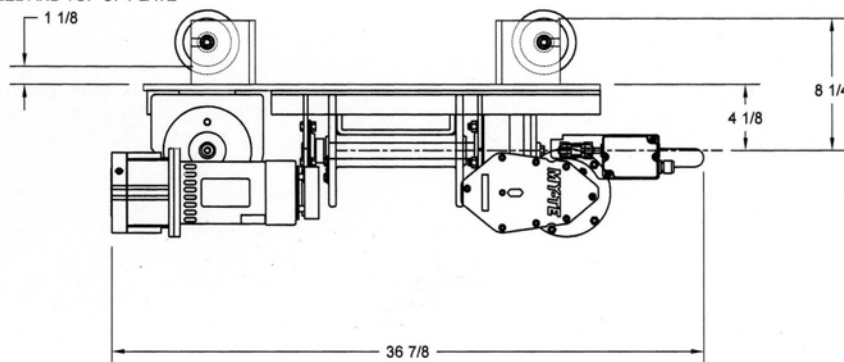
Wire rope is sold separately.

- 850AB standard equipment includes 42' of 1/4" wire rope, safety hook and sheave block for 20' x 1 ton double line lift or 40' x 1/2 ton single line lift.
- Standard upper/lower limit switches accommodate up to 100' of wire rope travel.
- Upper limit switch only option available for longer lifts.

Available Options

- 230V AC Single Phase/12V DC
- Upper Limit Switch Only
- Variable Speed Drive
- Radio Remote Control
- Alternate Rope Drums—Divided, Grooved, Expanded and more

CLEARANCE BETWEEN BOTTOM OF WHEEL AND TOP OF PLATE



All My-te Winch-Hoists are designed for material handling only.

My-te will custom design its products for specific applications and offers a diverse line of specialized winch-hoists. My-te also supplies wire rope, hooks, slings, sheave wheels and other hardware for complete ready to operate winch-hoist assemblies.