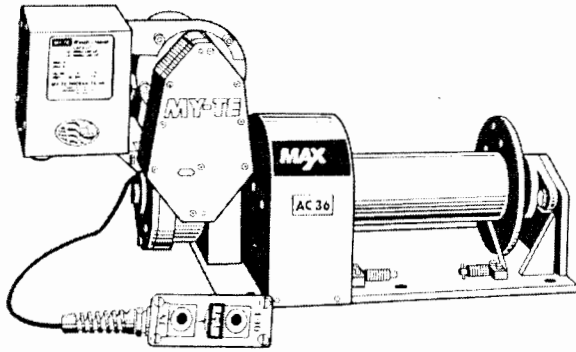


Model AC 36B



Winch and Hoist OPERATION and MAINTENANCE OF MAX AC 36B-115 VOLT AC

**6000# Double
Line Lift Capacity**

READ THIS BEFORE OPERATING UNIT

INSTALLATION:

Mount on clean, flat surface. Bolt down with 6-1/2" bolts. For ease of service, we do not recommend welding frame to surface.

Unit should be plugged into a 115 Volt A.C. grounded receptacle. Use of extension cords may cause power loss at full capacity. Make sure the voltage and type of current stamped on the name plate is used. The 115 Volt units require 19 amps. service for maximum lift, and uses a manual reset circuit breaker rated at 20 amps.

For additional safety, a power disconnect may be installed to provide a means of cutting power in place of using the power cord to disconnect.

Before the unit is wall mounted, or mounted upside down, remove P/N 286260 Oil Plug Valve and exchange with P/N 286250 Oil Plug located below the control box on the worm gear housing cover.

CABLE CONNECTION AND CABLE SAFETY:

Maintain at least 4 wraps of cable on the drum at the maximum reach. The drum cable clamp is not designed to hold load. Inspect the winch, sheaves and cable frequently. Especially watch for frayed cable, loose parts and worn components which may be hazardous. Use the correct size and length of cable for the job. We recommend use of 3/8" cable for most jobs up to 3000 lb. Always provide a 5 to 1 safety factor.

The cable tensioner is designed to prevent the cable from riding over the drum flanges and to maintain a constant pressure against the cable to keep it from binding.

When installing the cable, cable should be placed between the drum and the tensioner, bringing cable around drum to hold in flange. Push cable through hole and secure screws so that they do not extend through the drum flange and interfere with cable tensioner. Be sure cable is wrapped as evenly as possible on drum.

For best results, use only enough cable to meet specific job requirements.

Worn cable is dangerous. Replace cable that has become frayed, broken, kinked or abraded.

OPERATION:

These units are designed for intermittent duty operation. Mfg. recommends a 25% duty cycle. That is, for good motor life, usage of 15 minutes out of one hour is preferable.

To prevent shock loading, slowly remove slack from cable before full load is moved.

The remote control switch is a special 4 wire control which is part of the dynamic brake control system. Changing the switch to some other type will eliminate the braking action. Use only factory provided switch.

Remote switch provides forward and reverse control through a 24 volt transformer. Lifting power is the same in either direction.

MAINTENANCE:

Check all sheaves, rollers and areas of friction. Be sure they turn freely. Misalignment of cable, dragging sheaves, or rollers will consume a great amount of power.

If the unit is installed outside, be sure to provide a cover to protect motor and controls from the weather. When the unit is in operation be sure cover is completely removed.

Periodic inspection of switch and power cord should be made to detect any damage or cuts which would require replacement.

The gearbox oil is shared between the spur and worm gear housings. The factory-installed oil is a Shell product; Omala 68. It is an EP type industrial gear oil, ISO Grade 68. If this is not available, an SAE 20 weight, non-detergent motor oil is acceptable. Standard capacity is 18 ounces.

TROUBLE SHOOTING AND REMEDIES:

CAUTION: BEFORE SERVICING OR INSPECTING UNIT FOR PROBLEMS BE SURE TO DISCONNECT POWER.

If the unit does not run, check power supply. Be sure correct voltage and frequency are being used. Remove power plug and remove control box cover. Visually inspect for loose wires, stuck contacts on relays, and screws which may have worked loose.

If the unit runs but braking is not instantaneous, check resistors and motor brush condition. Bad resistors will effect the dynamic braking. Check resistors for cracked porcelain and exposed wire. Replace as needed. To check resistors electrically, test individually with a continuity test. On ohmmeter, each resistor should have a value of 4 ohms and together a resistance of 2 ohms.

Care should be taken to keep the armature in good condition which may be accomplished by lightly rubbing commutator with a rubstone.

Check brushes to see that they seat on the commutator and are not cracked or badly worn. Replace as needed. Brush springs should provide enough tension to help keep brushes seated.

If the unit does not operate properly after the above remedies, contact a qualified electrician or the factory.

WARRANTY:

All My-te winch-hoists are designed for material handling use only. My-te Products, Inc. warrants each My-te winch-hoist to be free of defects in material and workmanship for a period of one year. This warranty does not cover abuse, neglect or use above or beyond rated capacity and duty cycle. Warranty coverage includes shipping charges, one way, by standard ground service. Warranty does not cover cost of installation or removal of winch-hoist from service or loss due to downtime or time out of service. My-te will not reimburse unauthorized warranty expense. The final responsibility for fit of winch-hoist with application rests with end user. The warranty is void if the winch-hoist is altered or parts substituted. This warranty is limited to repair or replacement at manufacturer's factory or a point designated by the manufacturer. Inspection by the manufacturer will determine manufacturer's liability.

**MY-TE WINCH-HOISTS ARE DESIGNED
FOR MATERIAL HANDLING USAGE.**

Max AC 36B Parts List

COMMON FASTENERS AND OTHER ITEMS NOT SHOWN HERE ARE AVAILABLE THROUGH MY-TE PARTS DEPT OR YOUR MY-TE DEALER.

ITEM	QTY	PART No.	DESCRIPTION
1	1	051511	Drum Shaft, AC36
2	1	053031	Pinion Shaft w/Gear
3	1	056010	Worm Shaft Assy
4	1	066090	Drum Assy - AC36
5	1	081510	Cap, Worm Gear Hsg
6	1	082011	Cover, WGH Closed
7	1	082191	Cover, Motor
8	1	086160	Cover, Spur Gear Hsg/Brig
9	1	086170	Housing, Spur Gear/Brig
10	1	088120	Housing, Worm Gear/Studs
11	1	112010	Spur Gear
12	1	113010	Worm
13	1	118040	Idler Gear Assy/Shaft
14	1	118060	Spur Gear Assy w/SS
15	1	118110	Pinion Assy/SS
16	1	118160	Worm Gear Assy w/SS
17	1	126050	Gear Guard Assy
18	1	148370	Tensioner Bar Assy/HW
19	1	148180	Frame Assy, AC36
20	1	148380	Upright Assy, Pinion w/Brig
21	1	171280	Spacer, Thick Main Shaft
22	1	171310	Spacer, Thin Main Shaft
23	1	182032	Brace, Control Box
24	2	211010	Bearing, Main Shaft
25	2	211060	Needle Bearing

ITEM	QTY	PART No.	DESCRIPTION
26	1	211130	Needle Brg, Pinion Support
27	1	218040	Bearing Assy, Pinion Shaft
28	2	211150	Bearing, Drum Shaft
29	2	212010	Thrust Washer
30	2	218020	Bearing Assy, Worm Shaft
31	1	241010	Oil Seal, Main Shaft
32	1	241020	Oil Seal, Motor Shaft
33	1	241510	Gasket, Worm Gear Hsg
34	1	241521	Gasket, Spur Gear Hsg
35	2	241530	Gasket, Worm Hsg Cap 1/32
36	2	241540	Gasket, Worm Hsg Cap .010
37	1	241550	Gasket, Switch Housing
38	1	262750	Setscrew, 10-32 x 3/16
39	1	262790	Setscrew, 3/8-16 x 5/8
40	4	263020	Screw, 5/16-18 x 1 SHCS
41	8	263080	Screw, 1/4-20 x 1-1/4 SHCS
42	3	263260	Screw, 3/8-16 x 2 FHCS
43	3	265760	Stud, WGH 3/8-16 x 1-1/2
44	2	266260	Oil Plug, 1/8 NPT
45	1	266260	Valve, Oil Plug 1/8 NPT
46	4	261810	8-32 x 3/8 Thread Cut
47	8	267041	Lockwasher, 1/4 HC
48	2	321520	Snap Ring Worm Shaft
49	1	321530	Snap Ring WGH
50	2	351020	Key, Worm Shaft

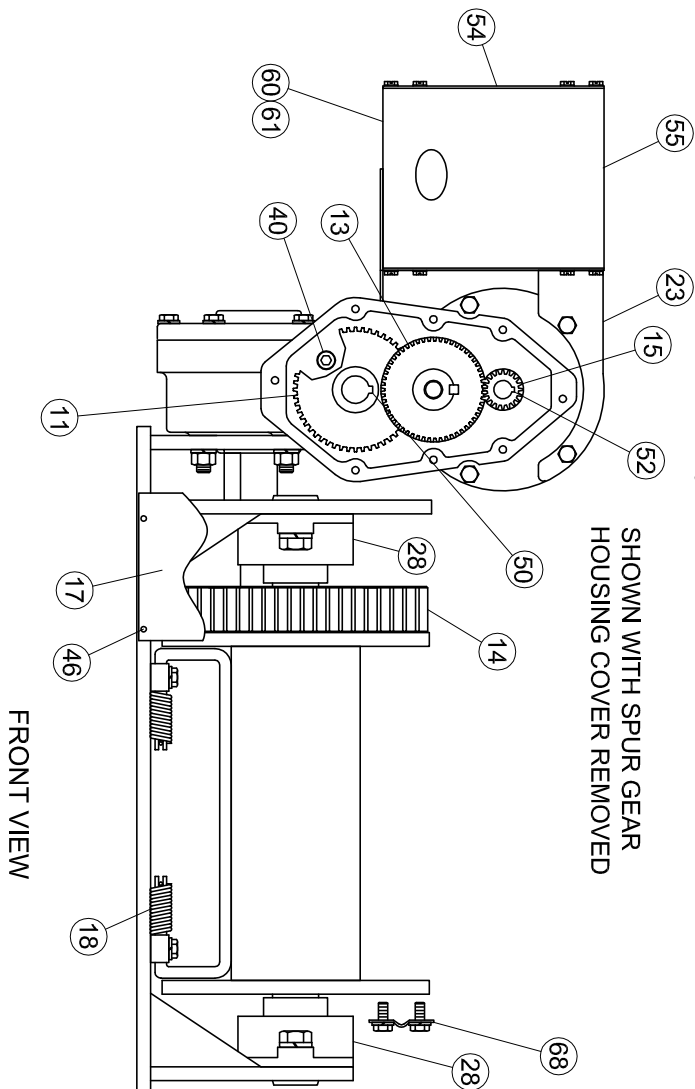
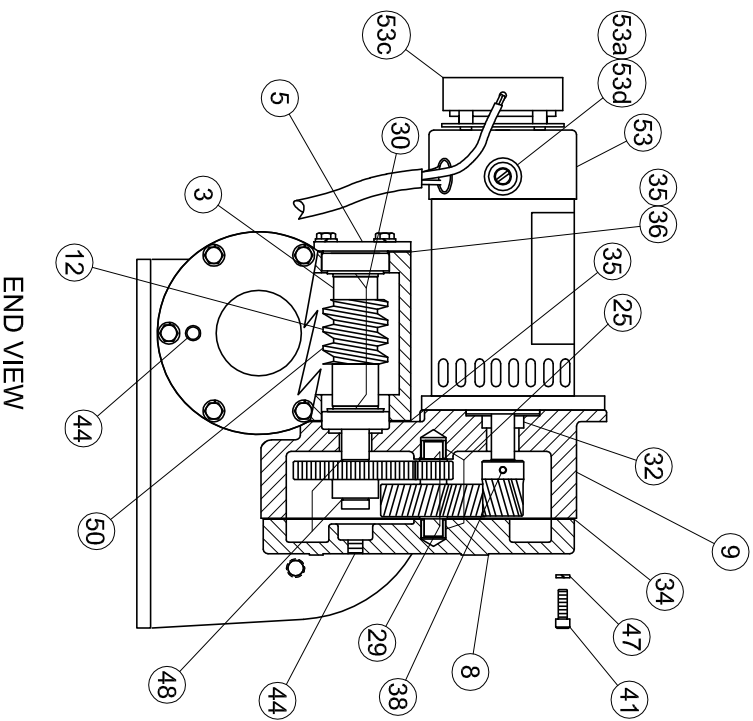
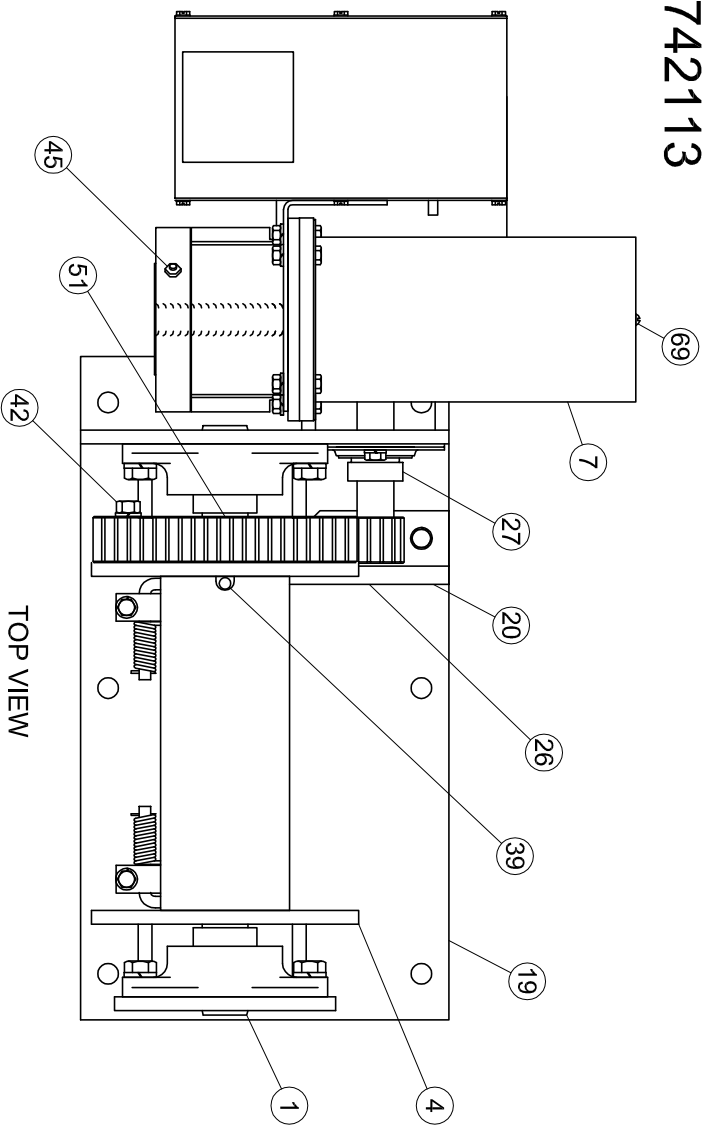
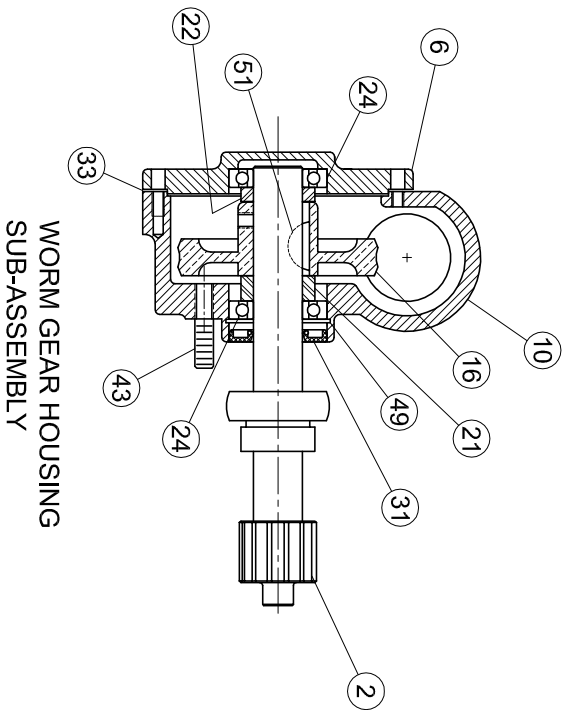
ITEM	QTY	PART No.	DESCRIPTION
51	2	351030	Key, Main Shaft
52	1	351050	Key, Pinion
53	1	448120	Brake Motor Assy
53a	2	443020	Brush Cap, Current Apps
53b	1	443030	Rectifier Assy, Current Apps
53c	1	443040	Motor Brake, Current Apps
53d	1	448130	Brush Set, Current Apps
**		518521	Complete Control Box with Switch & Power Cord
54	1	512020	Panel, Plain
55	1	518010	Control Box w/Bkt & Cover
56	1	518261	Panel Assy w/Comps&Brace
58	1	538033	Hand Switch Assy 4 Wire
58a	2	531140	Switch, Push Button SPDT
58b	1	532021	Switch Plate/Switch/Guard
58c	2	532550	Guard, Switch
58d	1	552110	Strain Relief, Pendant
59	1	548030	Power Cord Assy
60	1	552020	Strain Relief, Motor
61	2	552040	Strain Relief, Cord & Switch
62	1	561030	Relay, Power DPDT w/Aux Switch
63	1	562011	Transformer, 115/24 VAC w/Term, Block
64	1	562530	Circuit Breaker, 20amp 115v
65	1	568040	Resistor Assy

ITEM	QTY	PART No.	DESCRIPTION
66	1	568050	Capacitor Assy
67	1	561031	Relay, Power DPDT
68	1	828090	Drum Cable Clamp Assy
69	1	281272	8-32 x 1-3/4 PHMS
	1	621020	Decal-Oil Level
	1	621130	Decal-Circuit Breaker
	1	621140	Decal-Caution Do Not Remove
	1	621150	Decal-Unit ID-AC36
	1	621160	Decal-MAX
	1	621250	Decal-Drum Warning
	1	621260	Decal-Safety 3 x 3
	1	621270	Decal-Capacity & SN
	1	621290	Decal-Made in America
	1	621310	Decal-Danger Hot!
		248022	Seal & Gasket Kit - New Cover

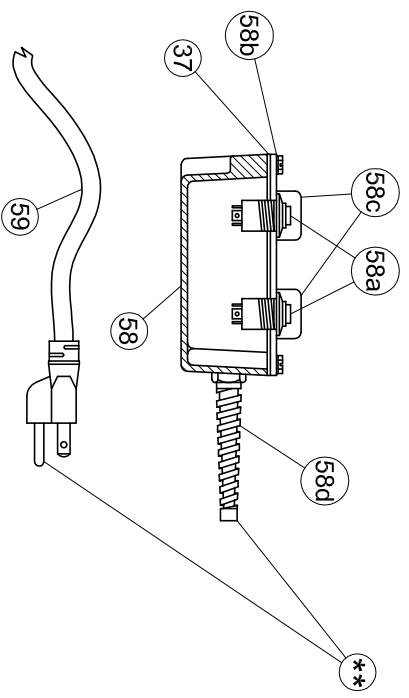
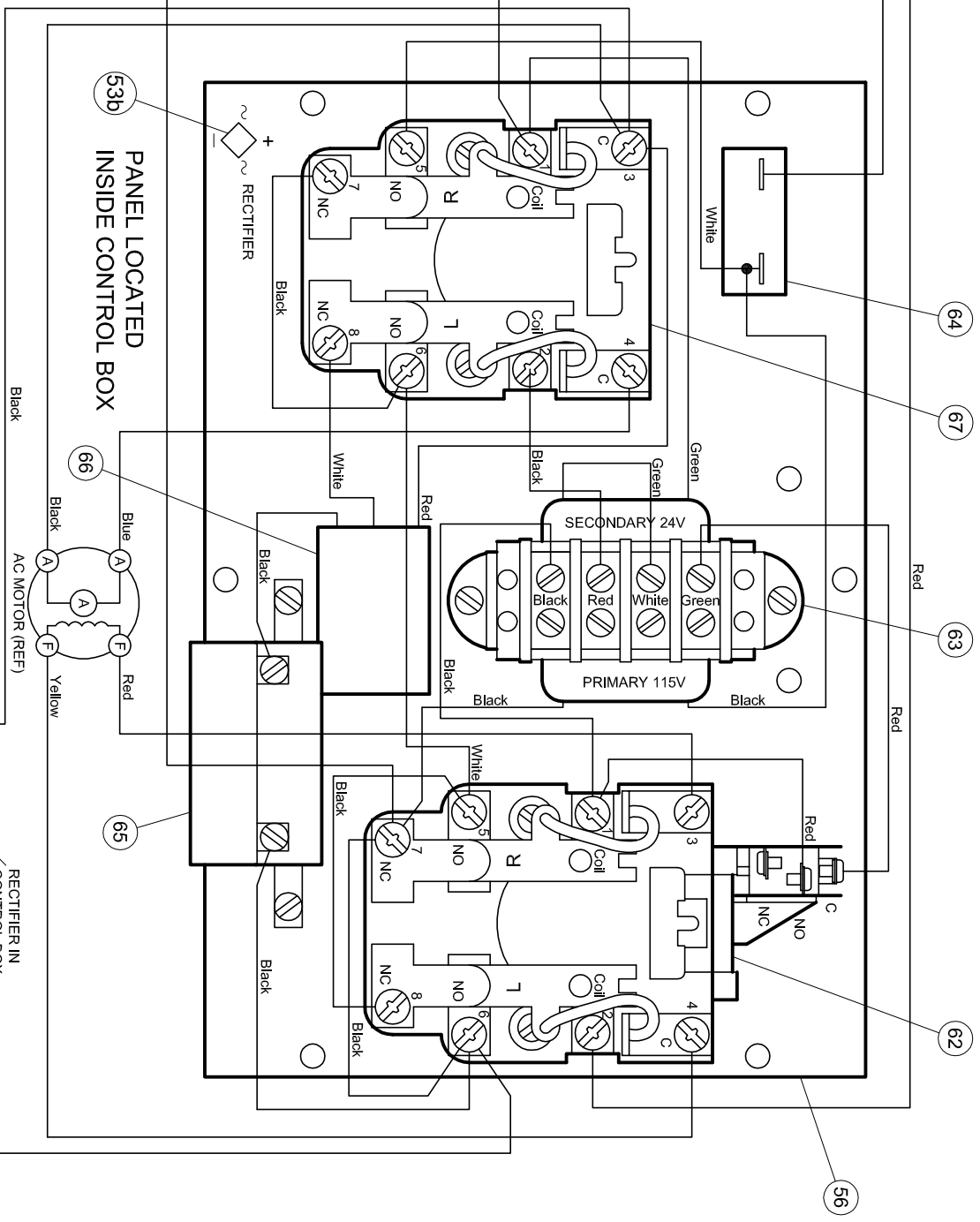


Max AC 36B Parts Drawing

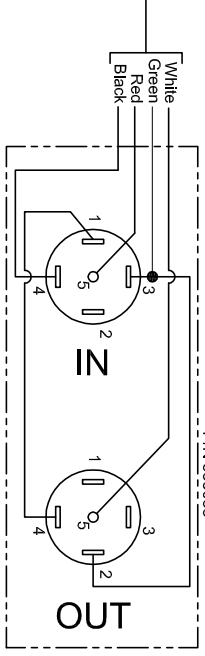
P/N 742113



POWER CORD
P/N 548030 (REF)



SWITCH CORD P/N 541020
CONNECT WIRES TO TERMINAL
STRIP AT CORRESPONDING
COLOR MARK



HAND SWITCH ASSEMBLY
P/N 539033

