

Factory-Installed Options

Hand Crank

Specify Option #771020

- Model Nos. 10-12, 100AB
- 30:1 reduction on crank

Provides an emergency procedure for moving loads during power failure. Removable crank fits on square end of the special worm shaft, which extends through the spur gear housing.

Limit Switch

Specify Option #771080

- Model Nos. 100AB, 500, 501, 510, 520, 800AB

Safety option designed to override push button controls. Limit switch actuation accomplished by a cam switch gearbox attached to a rod extending from the main shaft. "Out" limit trips with four wraps of cable left on drum (if we supply cable). "In" limit adjustable for up to 100' of travel.

Upside-Down Mounting

Specify Option #771110

- Model Nos. 10-12, 100AB, AC36B, DC48

For any operation where winch is overhead and base is upside down. Frame comes with shackle for double-line operation. Spur gear housing is laid over 90° to maintain proper oil level. No clutch only.

Variable Speed Options

Specify Option #771310

Variable speed with controls at unit.

Specify Option #771320

Variable speed with 10' pendant controls.

- Model Nos. 100AB, AC36B, 300AB

For applications where loads must be slowly pulled through critical spots and run full speed at other times. Hand-held pendant also available. Current limiter protects motor. This option may be combined with other factory-installed options.



Hand Crank



Variable Speed Options



Limit Switch



Clutch



Upside-Down Mounting



Radio Control

Clutch

Specify Option #771010

- Model Nos. 100AB, AC36B

For operations requiring fast, no-load cable pull-off. Best in horizontal dragging applications for getting the cable out to the load quickly.

Radio Control

Specify Option #771340

- Model Nos. 100AB, AC36B, 300AB

For wireless control and operation of unit from a distance of 50' to 100'.

Factory-Installed Options

771072 Drum, 771073 Drum

- Model Nos. 10-12, 100AB, HY1D, 500, 501, 510, 520
- Drum storage:

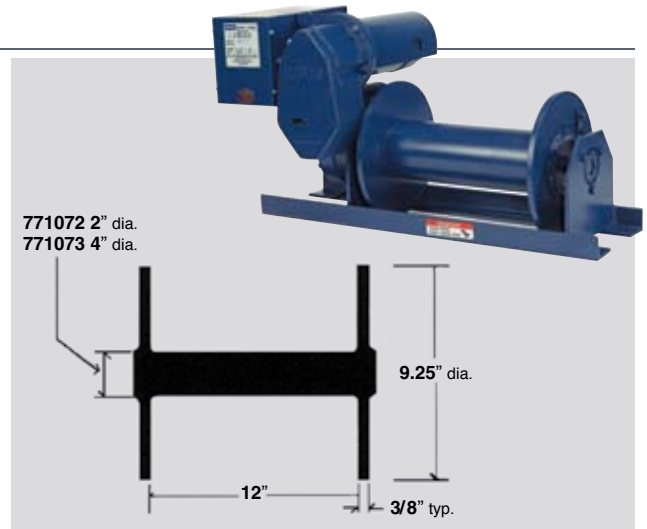
771072

1/8" - 3,200' 3/16" - 1,425' 1/4" - 800' 5/16" - 500'

771073

1/8" - 2,600' 3/16" - 1,150' 1/4" - 650' 5/16" - 400'

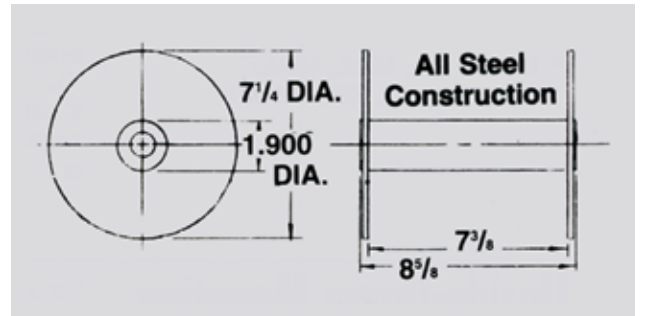
Overall length of winch is increased by 5". Overall height is increased by 1". Do not exceed the duty cycle of the winch when using this drum option. Lifting capacity with a full drum of cable is 25% of the first layer capacity.



771050 Drum (as part only #068010)

- Model Nos. 10-12, 100AB, 500, 501, 510, 520
 - Drum storage:
- 3/16" - 515' 1/4" - 290' 5/16" - 185'

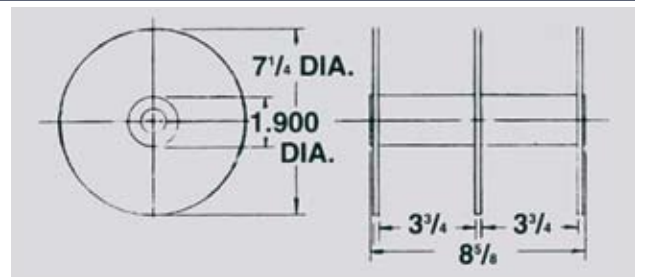
All-steel fabricated drum replaces standard 068140 drum where longer cable lengths are required or for extra protection from cable riding over flanges.



771060 Drum (as part only #068020)

- Model Nos. 10-12, 100AB, 500, 501, 510, 520
 - Drum storage on each 1/2:
- 3/16" - 250' 1/4" - 140' 5/16" - 85'

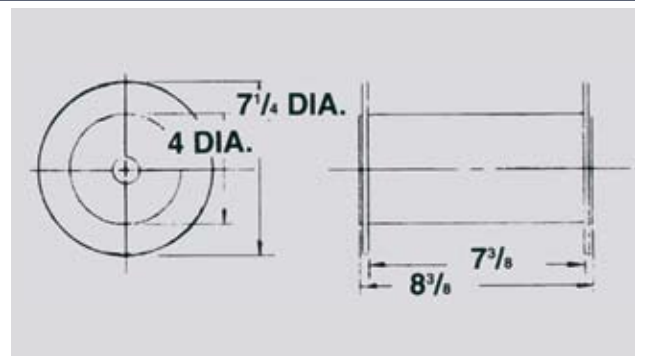
Replaces 068140 drum when operation calls for two lifting or pulling points.



771070 Drum (as part only #068040)

- Model Nos. 10-12, 100AB, 500, 501
 - Drum storage:
- 3/16" - 235' 1/4" - 130' 5/16" - 85'
- Single-line capacity of 950 lbs on Model No. 10-12
 - Single-line capacity of 750 lbs on Model Nos. 100A, 500, 501

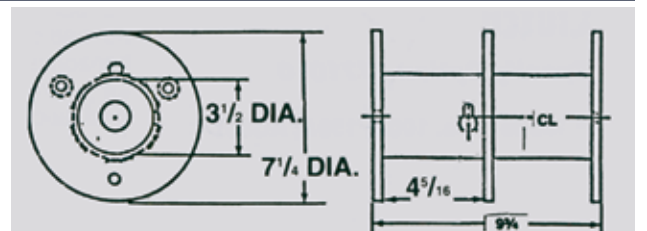
Offers the advantage of faster line speeds than standard drum. Use for operations requiring no more than 75% load capacity.



771150 Drum (as part only #068110)

- Model Nos. AC36B, DC48
 - Drum storage on each 1/2:
- 1/4" - 121' 5/16" - 77' 3/8" - 53'

Replaces 068090 drum when operation calls for two lifting or pulling points.



Note: Cable on outside half is clamped through hole in flange. Cable on inside half is held in place by swagged fitting on cable end fitting into keyhole slot on drum barrel.