



MODEL

HY1D

S T A N D A R D S E R I E S

The Standard Hydraulic Winch-Hoist

1,500 lb Single-Line or 3,000 lb Double-Line Lift



APPLICATIONS

ALL PURPOSE LIFTING AND PULLING

PULLS LOADS OF UP TO 10,000 LBS

WHERE HYDRAULIC POWER SOURCE IS AVAILABLE

ON SERVICE AND HAULING TRUCKS

FEATURES

- Worm gear reduction for positive load holding
- Rugged construction
- Hydraulic power
- High capacity cable drum
- Frictionless bearings
- Full power reversible
- Cable tensioner for better cable tracking



MODEL

HY1D

STANDARD SERIES

SPECIFICATIONS

Construction Features:

- Heavy-duty angle base drilled for six (6) 1/2" bolts (9/16" mounting holes) with no welding required
- Fully sealed aluminum housings, with precision-cut gears, run in an oil bath
- Stress-proof drum shaft
- Frictionless bearings

Gear System:

- 30:1
- Hardened steel worm and forged bronze worm gear holds load in position when stopped

Power:

- High-torque rotary hydraulic motor
- 1/2" - 14 NPTF hydraulic connections

Pump Requirements:

- 2 GPM @ 900 psi minimum pump capacity
- 12 GPM @ 1,500 psi recommended pump capacity
- 2,250 maximum psi

Speeds:

Typical System Operation (12 GPM @ 1,500 psi)

- 17 FPM: No-load drum speed
- 14 FPM: 1,000 lbs - single-line lift
- 10 FPM: 1,500 lbs - double-line lift

Minimum System Operation (2 GPM @ 900 psi)

- 5 1/2 FPM: No-load drum speed
- 4 1/2 FPM: 1,500 lbs - single-line lift
- 4 FPM: 1,500 lbs - double-line lift

Note: All speeds are based on one layer of cable on drum.

Duty Cycle:

- 25% - 15 min/hr when operating at full load

Drum Storage:

- 1/8" - 1,000 ft ■ 1/4" - 250 ft
- 3/16" - 450 ft ■ 5/16" - 150 ft

For best results, use the minimum amount of cable required for application plus four safety turns around the drum. Cable sold separately. Length and size must be specified at time of order.

Lifting Capacity:

- 1,500 lbs - 1-2 layers of cable (39 ft of 1/4" cable)
- 1,275 lbs - 3 layers of cable (65 ft of 1/4" cable)
- 900 lbs - full drum of cable (250 ft of 1/4" cable)

Pulling Capacity:

- 10% (6°): 10,000 lbs ■ 60% (31°): 1,900 lbs
- 20% (11°): 5,000 lbs ■ 80% (39°): 1,600 lbs
- 40% (22°): 2,600 lbs ■ 100% (45°): 1,400 lbs

My-te winch-hoists are rated for what they will vertically lift. Above data is based on the total load that may be pulled, single line, up a given incline. All capacities are reduced 20% to allow for minimum friction in pull.

Cable Strength:

- 5 to 1 recommended safety factor
- Top-quality galvanized cable available in the following breaking strengths:
1/8" - 2,000 lbs 1/4" - 7,000 lbs
3/16" - 4,200 lbs 5/16" - 9,800 lbs

Dimensions: (W" x H" x L")
9" x 9" x 21"

Shipping Weight: 60 lbs

Factory-Installed Options:

- Clutch
- Alternate Drums
- Hydraulic Rope Winch-Hoist

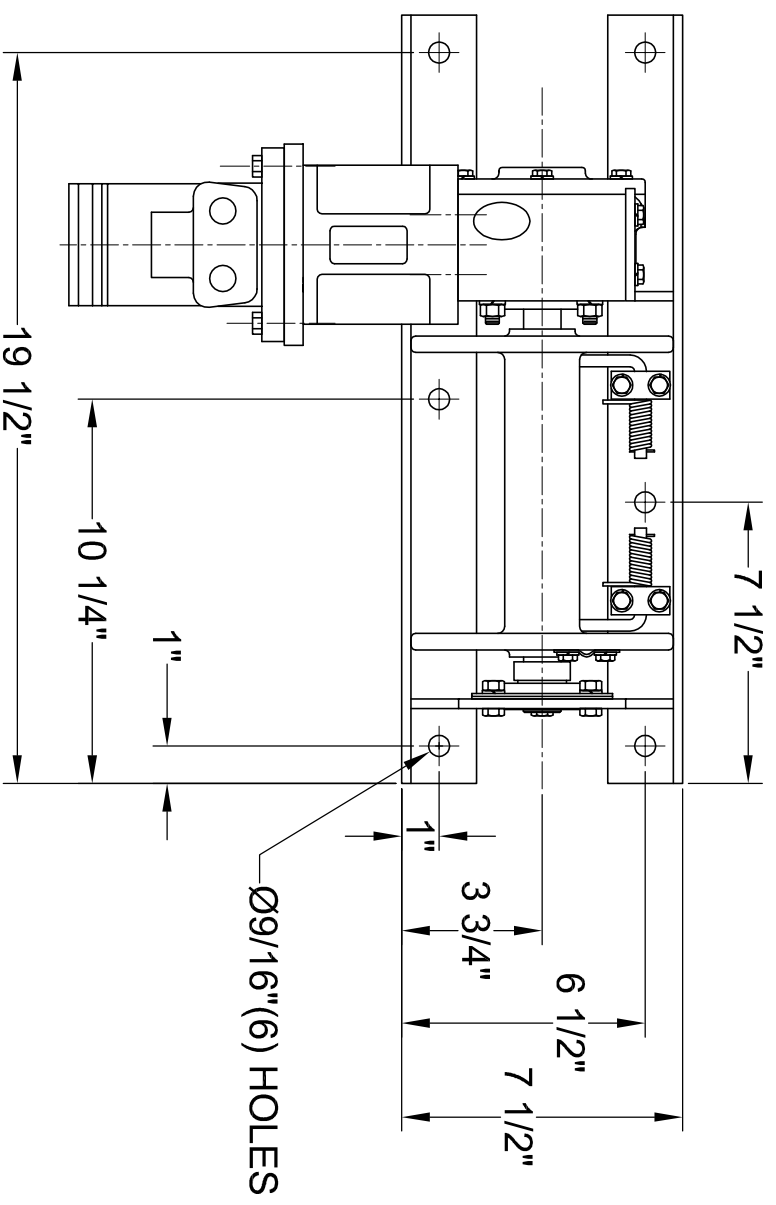
Note: For additional information on other available factory-installed options and accessories, see catalog sheets 31 and 33.

..... My-te can even custom design winch-hoists for your special needs. For applications assistance, including the specification of a My-te winch-hoist to meet your requirements, see your My-te distributor or call My-te Products, Inc.

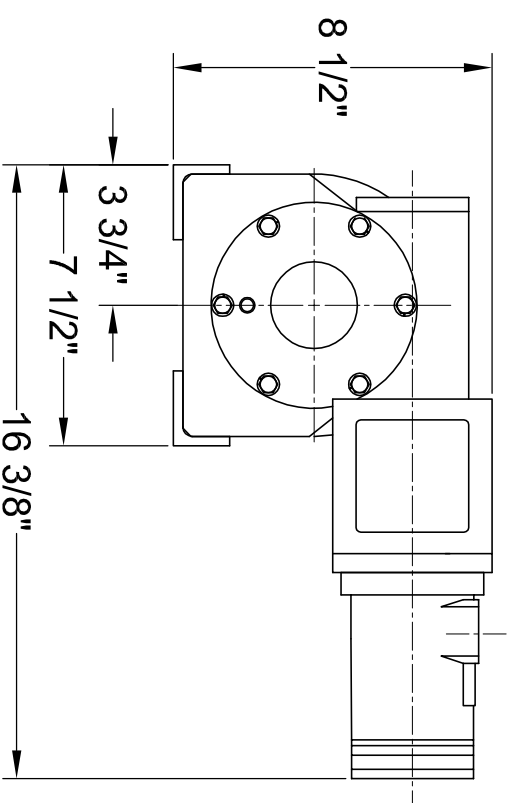
All My-te winches and hoists are designed for material handling usage only.



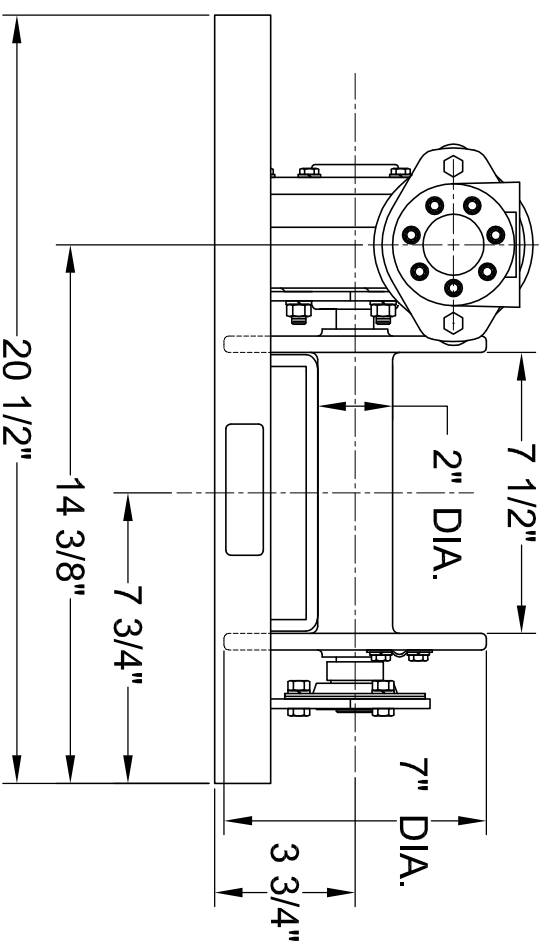
MY-TE PRODUCTS, INC.



TOP VIEW



SIDE VIEW



FRONT VIEW