

Standard Electric Cable Loop Drive **LD100AB**

Features

- Trifecta system 115 Volt brake motor with triple brake system for instant stopping
- Worm & worm gear drive for positive load holding
- Single phase motor
- Grooved drums for 1/4" cable
- Low voltage 10' pendant control
- Many available options

Applications

All My-te winches and hoists are designed for material handling usage only.

Handle rolling loads up to 20,000 lbs
Move carts in and out of production areas
Pull trailers through assembly stations
Pull tarps or covers over tanks and pits
Full power forward and reverse



STANDARD SERIES

Standard Electric Cable Loop Drive **LD100AB**

STANDARD SERIES

Construction Features:

- Heavy-duty angle base drilled for six 1/2" mounting bolts
- Installation requires no welding
- Fully sealed aluminum gear housings with precision-cut gears running in an oil bath
- Hardened steel worm and forged bronze worm gear holds load in position when stopped
- Stress-proof drum shafts
- Frictionless bearings
- 286:1 gear reduction

Power:

- Universal 18,500 RPM reversible 1.25 HP brake motor (no-load speed)
- 15' power cord plugs into any 115 Volt AC grounded outlet
- 6 amp – No load
- 14 amp – Full load

Pulling Capacity:

- 20,000-lb rolling load capacity
- 800-lb line pull
- Rolling load capacity is dependent on floor surface and wheel/caster condition

Speeds:

- 59 RPM: no-load drum speed
- 37 FPM: 10,000-lb rolling load
- 31 FPM: 20,000-lb rolling load

Cable Drums:

- Two welded steel cable drums grooved for 1/4" cable
- Lower drum is gear driven
- Upper drum not powered

Cable Strength:

- Recommended 1/4" diameter cable has 7,000-lb breaking strength
- Safe working load: 1,400-lb line pull

Duty Cycle:

- 25%—15 min/hour

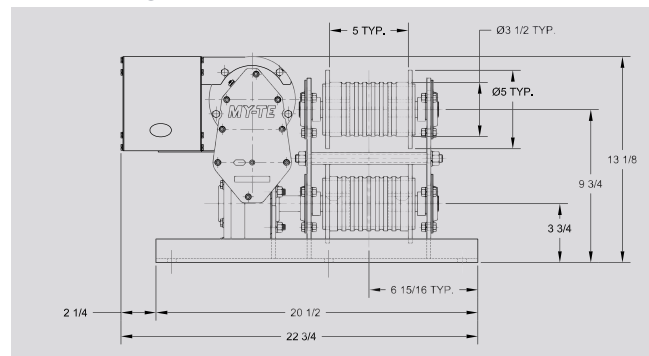
Shipping Weight: 102 lbs

Available Factory Options:

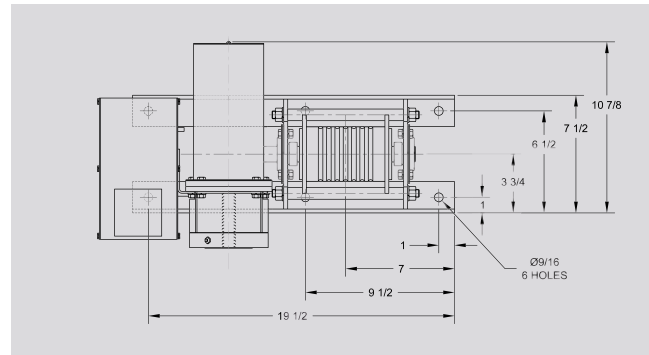
- 230 Volt single phase motor
- Freewheeling clutch
- Limit switch
- Emergency hand crank
- Variable speed control
- Radio remote control
- High speed gears

For custom design and application assistance of a My-te winch-hoist, see your My-te distributor or call My-te Products, Inc. (800) 840-9880. Visit us at www.myte.com

FRONT VIEW



TOP VIEW



SIDE VIEW

